

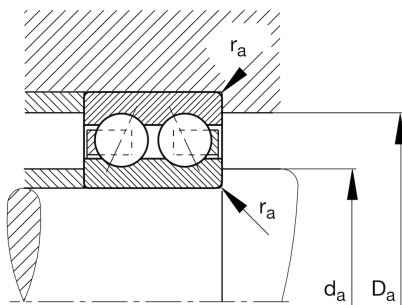
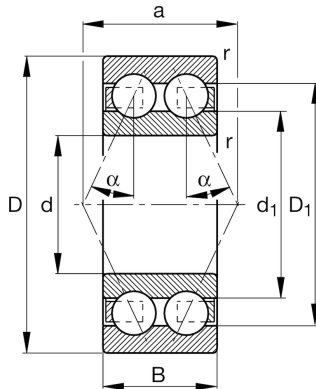
FAG

**3201-BB-TVH**

Angular contact ball bearing

Schaeffler ID:  
0208114110000Angular contact ball bearing 32..-B-TVH,  
double row, plastic cage

## Technical information

**Main Dimensions & Performance Data**

d	12 mm	Bore diameter
D	32 mm	Outside diameter
B	15.9 mm	Width
$C_r$	10,500 N	Basic dynamic load rating, radial
$C_{0r}$	5,800 N	Basic static load rating, radial
$C_{ur}$	300 N	Fatigue load limit, radial
$n_G$	24,600 1/min	Limiting speed
$n_{gr}$	20,000 1/min	Reference speed
	0.055 kg	Weight

**Mounting dimensions**

$d_{a \min}$	16.2 mm	Minimum diameter shaft shoulder
$D_{a \max}$	27.8 mm	Maximum diameter of housing shoulder
$r_{a \max}$	0.6 mm	Maximum fillet radius

**Dimensions**

$r_{\min}$	0.6 mm	Minimum chamfer dimension
$D_1$	26 mm	Shoulder diameter outer ring
$d_1$	17.8 mm	Shoulder diameter inner ring
a	16.5 mm	Distance between the apexes of the pressure cones
$\alpha$	25 °	Contact angle

**Temperature range**

$T_{\min}$	-30 °C	Operating temperature min.
$T_{\max}$	120 °C	Operating temperature max.